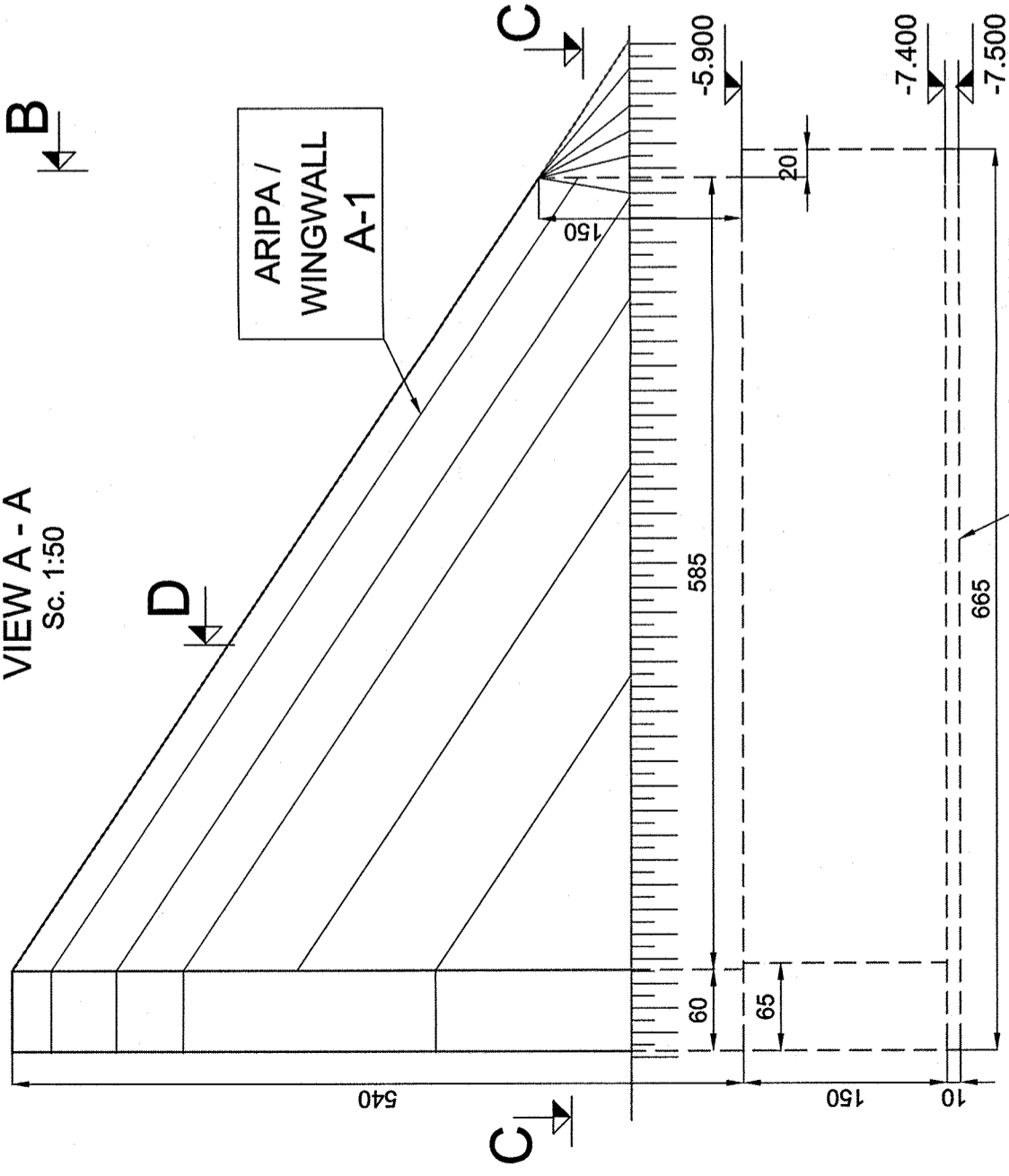
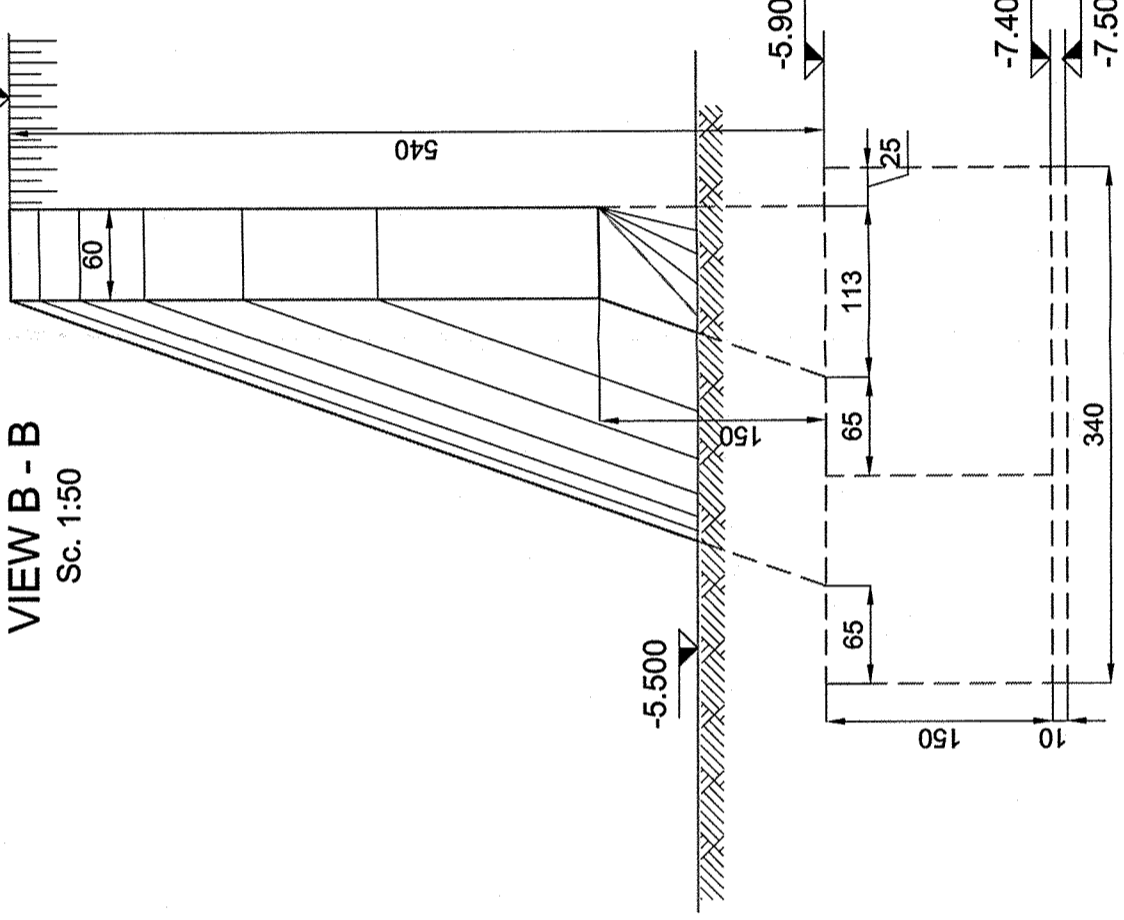


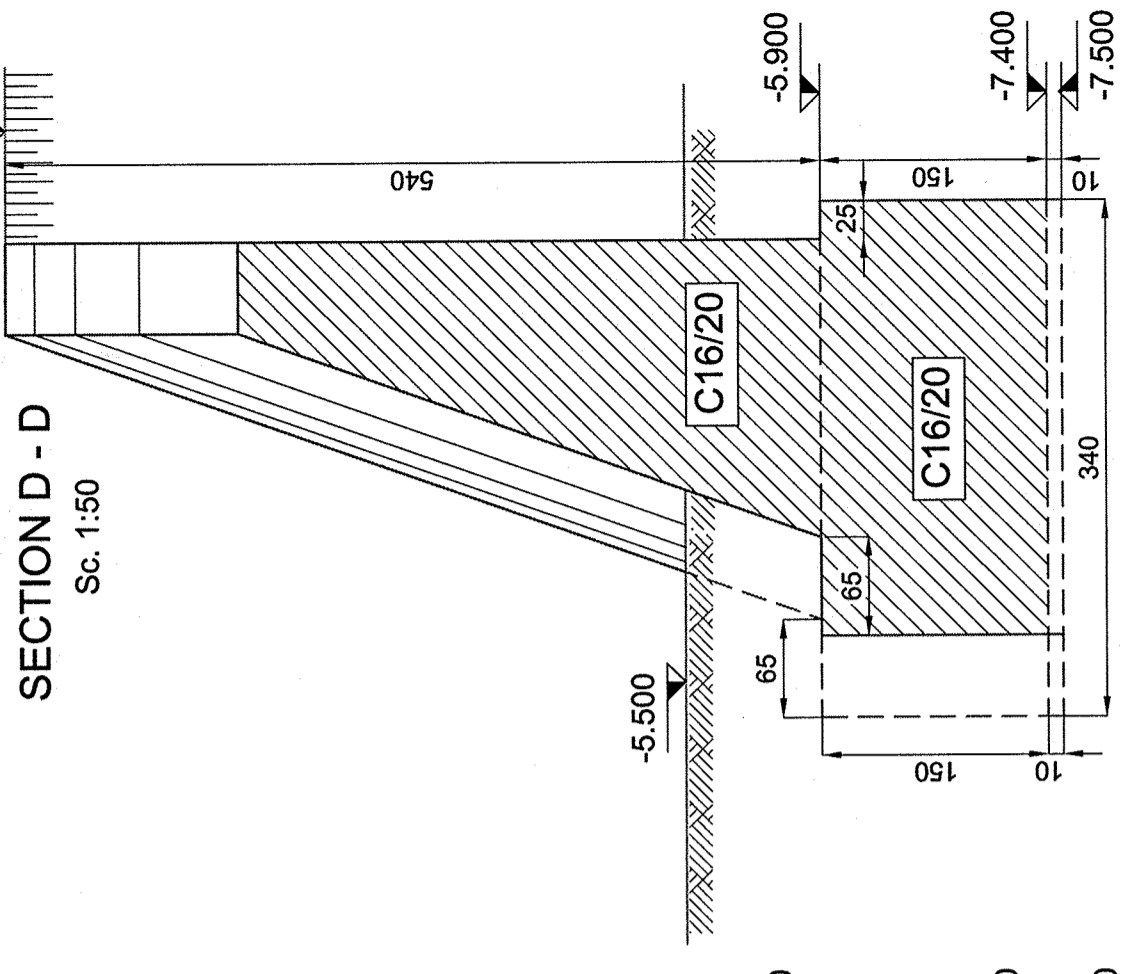
VEDERE A - A
VIEW A - A
Sc. 1:50



VEDERE B - B
VIEW B - B
Sc. 1:50



SECTIUNE D - D
SECTION D - D
Sc. 1:50

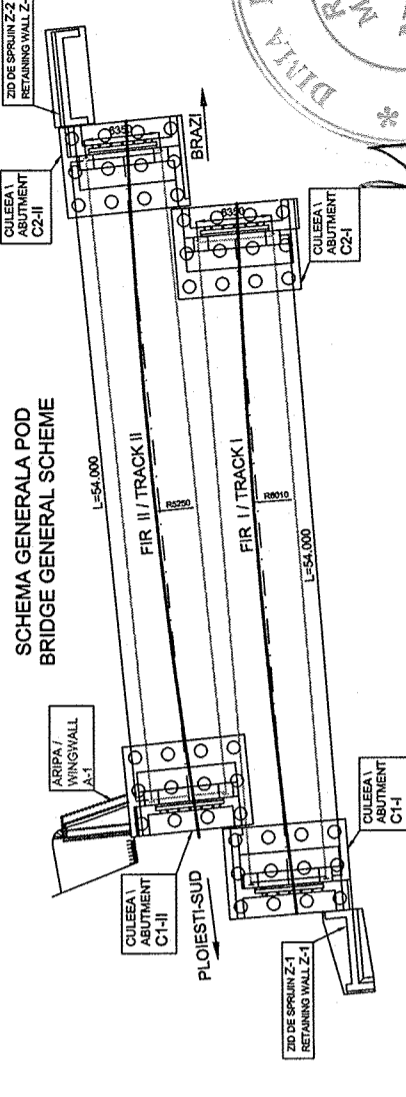


BETON EGALIZARE
10 cm GROSIME C8/10
LEVELLING CONCRETE
10 cm THICKNESS C8/10

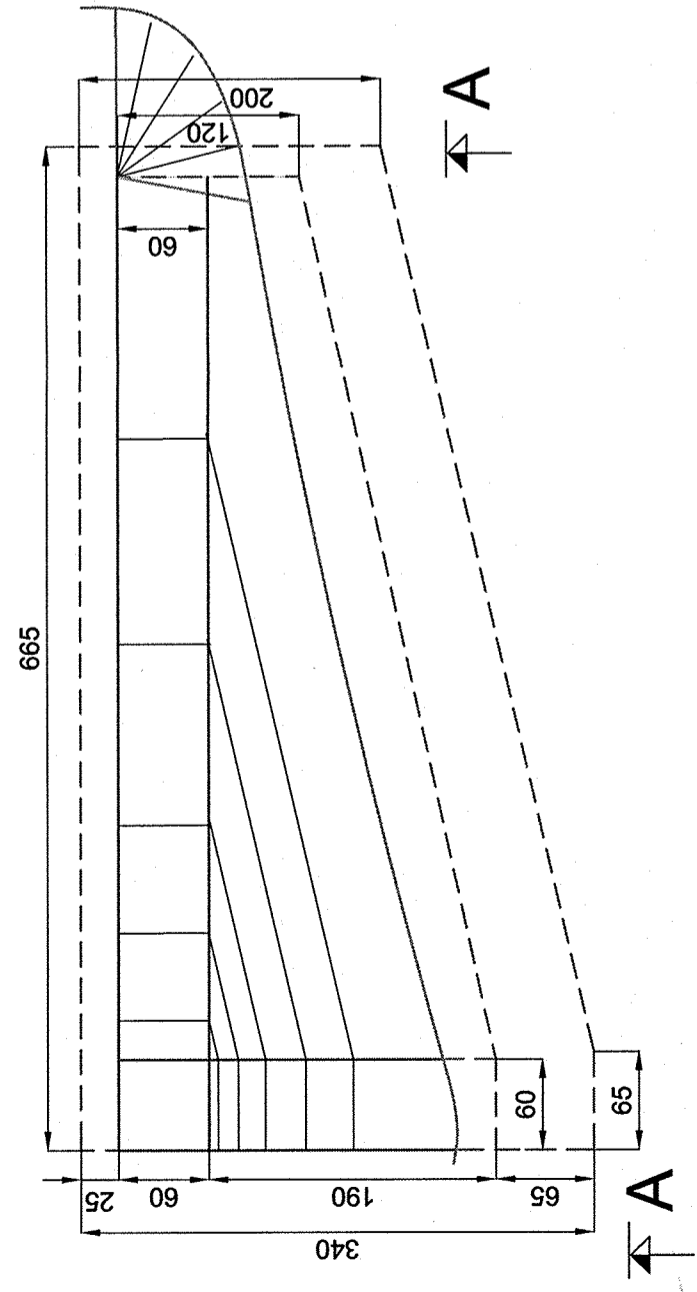
LEGENDA BETOANELOR
CONCRETE LEGEND

BETON IN ELEVATIA CULEII, CLASA C16/20, EXPUNERE XC2+XF1+XA1 (RO), CI 0.2, AGREGATE Dmax 63, DENSITATE D 2.5, CONSISTENTA S3

BETON DE EGALIZARE, CLASA C8/10, EXPUNERE X0 (RO), CI 1.0, AGREGATE Dmax 32, DENSITATE D 2.5, CONSISTENTA S2



SECTIUNE C - C / SECTION C - C
Sc. 1:50



B				
A				
BENEFICIAR / BENEFICIARY:		ROMANIAN RAILWAY NATIONAL COMPANY MINISTERUL Transporturilor Ministry of Transport		
Data / Date:		05.2009		
Modificare / Revision:		AUTOTITLUL DE IMPLEMENTARE / IMPLEMENTUNG AUTHORITY		
AUTOTITLUL DE IMPLEMENTARE / IMPLEMENTUNG AUTHORITY:		MINISTERUL Economiei si Finantelor Ministry of Economy and Finance PHARE Payments & Contracting Office		
Contract / Contract:		CFR 1303/2007		
Faza / Phase:		PTH+DE TP+DD		
UNIONE EUROPEANA / EUROPEAN UNION:		POS Transport 2007-2013		
PORTOFOLIUL DE PROIECTE PHARE CES 2005 / PHARE CES 2005 PROJECTS PORTFOLIO:		LOT 1		
Asistenta tehnica pentru pregatirea unor lucrari de reabilitare pentru tuneluri si poduri de cale ferata / Technical assistance for preparing rehabilitation works required by railway tunnels and bridges:		PLAN COPRAJ ARIPIA A1 / PLAN SHUTTERING WINGWALL A1		
Denumire desen / Drawing Title:		Sursa desen / Drawing Office:		
Cod desen / Drawing Code:		Nr. / No.:		
Sursa desen / Drawing Office:		Pod / Bridge km 57+560		
PLAN COPRAJ ARIPIA A1 / PLAN SHUTTERING WINGWALL A1		PD 21		
Ing. Cristian Dima		Scara / Scale: 1:50		
Ing. Ioan Dachin		Data / Date: 05.2009		
Ing. Stelian Vara-Oros		Team leader		